

Basic Rack PDU

Rack PDU, Basic, Zero U, 15A, 100/120V, (14) 5-15



APC Basic Rack PDU , Input: 120V , Input Connections: NEMA 5-15P , Cord Length: 12 feet (3.66 meters) , Output: 100V, 120V , Output Connections: NEMA 5-15R

Includes: Installation guide, Rack Mounting brackets, Toolless Mounting Kit

Standard Lead Time: Usually in Stock

AP9567 Features

Toolless Mounting Capabilities

Units do not require additional tools to mount into APC NetShelter VX, which allows the users to quickly and easily mount units in the rear of the enclosure.

Vertical Mounting Capabilities

Easily mounts vertically in racks or enclosures and occupies zero U of valuable rack space, which allows more equipment in the rack. Units that mount vertically are optimized to fit in a NetShelter VX enclosures.

Basic Rack PDU Features & Benefits

Agility

Rack-Mountable Includes horizontal, vertical, and toolless-mount varieties. Puts power where it is needed most - in the racks near the equipment.

Single input power source Supply power from one branch whip to multiple pieces of equipment, conveniently powering rack-mount equipment. Saves time and money during installation by using one branch whip and standard connections.

Wide range of input and output connections Product family includes a variety of input and output connections to distribute 120V, 208V, or 230V power to multiple outlets. Having a variety of inputs and outputs allow users to adapt to varying power requirements. APC offers units that bring up to 14.4kW using a single branch whip.

Total Cost of Ownership

Low Cost Power Distribution Provides a number of outlets to bring power to rack equipment at an affordable price.

Output

Nominal Output Voltage	100V,120V
Maximum Total Current Draw per Phase	15A
Output Connections	(14) NEMA 5-15R
Overload Protection	Yes



Input

Nominal Input Voltage	120V
Input Frequency	50/60 Hz
Regulatory Derated Input Current (North America)	12A
Input Connections	NEMA 5-15P
Cord Length	3.66 meters
Number of Power Cords	1
Acceptable Input Voltage	100-125 VAC
Maximum Input Current per phase	15A
Load Capacity	1800 VA



Physical

Net Weight	2.18 KG
Maximum Height	610.00 mm
Maximum Width	44.00 mm
Maximum Depth	44.00 mm
Shipping Weight	2.92 KG
Shipping Height	648.00 mm
Shipping Width	178.00 mm
Shipping Depth	152.00 mm
Color	Black

Environmental

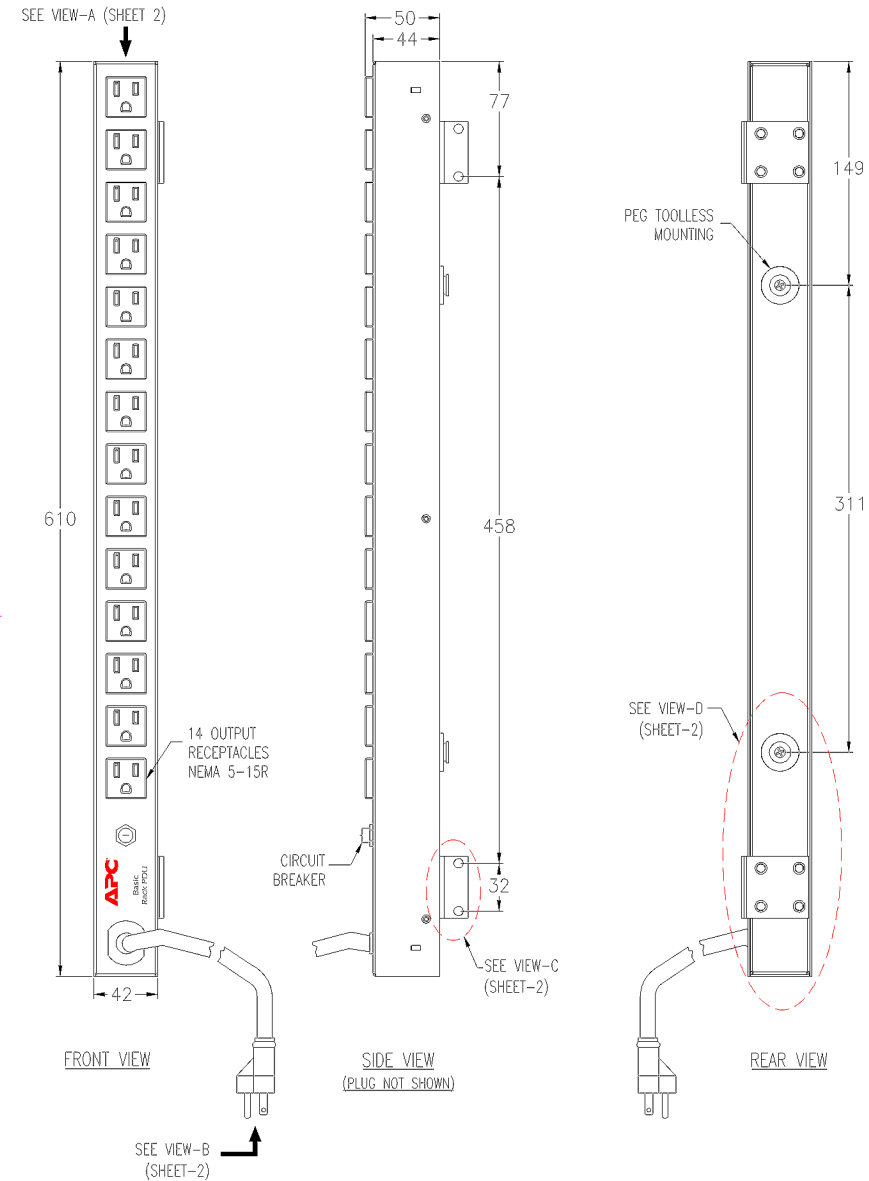
Operating Environment	0 - 45 °C
Operating Relative Humidity	0%
Operating Elevation	0-3000 meters
Storage Temperature	-25 - 65 °C

Storage Relative Humidity	0%
Storage Elevation	0-15000 meters

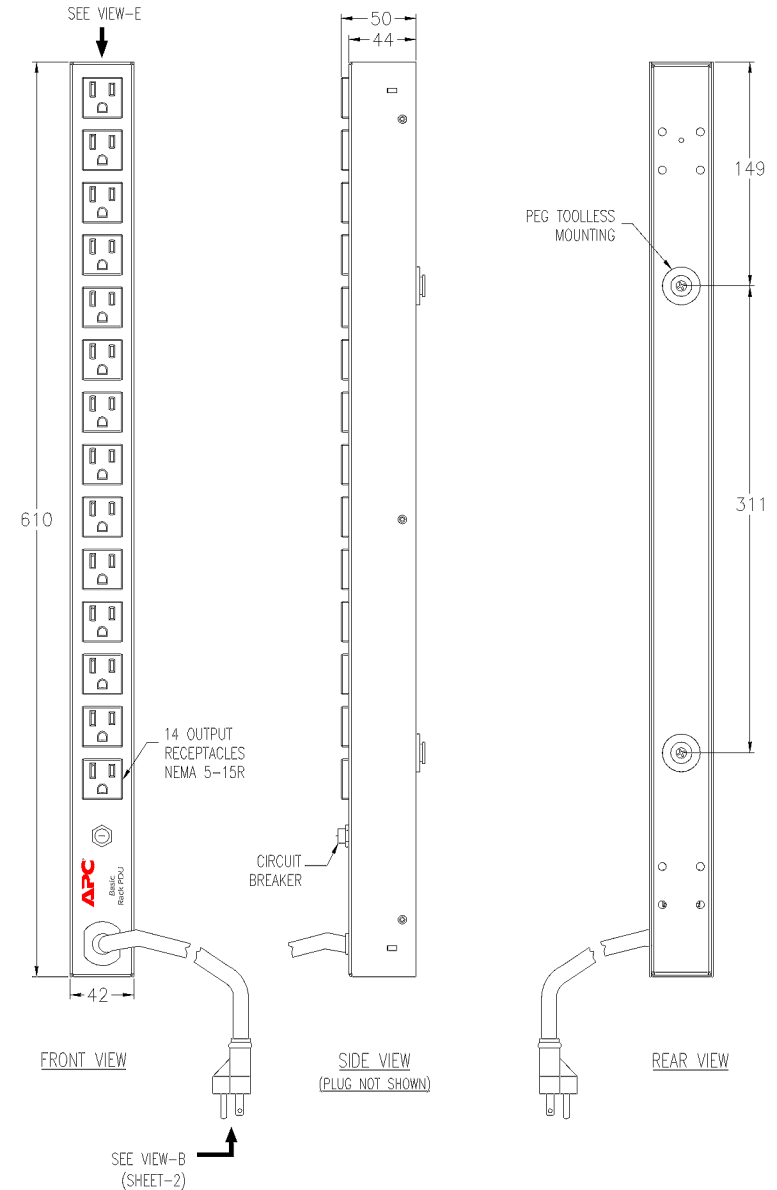
Conformance

Regulatory Approvals	cUL Recognized,CSA,METI Denan,UL 1363,UL Recognized
Standard Warranty	2 years repair or replace

RACK PDU WITH BRACKET



RACK PDU WITHOUT BRACKET



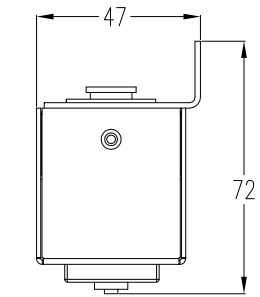
- NOTES:
1. ALL DIMENSIONS ARE IN MILLIMETERS.
 2. NET WEIGHT IS 2.18 kgs.
 3. LENGTH OF THE CORD IS 3658 mm.
 3. INSTALLATION MUST COMPLY WITH ALL APPLICABLE NATIONAL AND LOCAL CODES.

THIS DRAWING AND SPECIFICATIONS HEREIN ARE THE PROPERTY OF AMERICAN POWER CONVERSION AND SHALL NOT BE COPIED, REPRODUCED OR USED IN WHOLE OR IN PART, AS THE BASIS FOR THE MANUFACTURE OR SALE OF ITEMS WITHOUT WRITTEN PERMISSION FROM APC.
THIS DRAWING IS BASED UPON LATEST AVAILABLE INFORMATION AND IS SUBJECT TO CHANGE WITHOUT NOTICE.

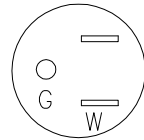
APC[®]

PROJECT		TITLE	
SUBMITTAL DRAWING		RACK PDU, BASIC ZERO U, 15A, 100/120V, INPUT: NEMA 5-15P OUTPUT: (14) NEMA 5-15R MECHANICAL DETAILS	
DRAWN	JAYAPRAKASH	SCALE	
CHECKED	T. HORSTMANN	3rd ANGLE PROJECTION	
ENGINEER	J. SUN	DWG NO.	AP9567
		Sheet No.	1 / 2
		REV.	-

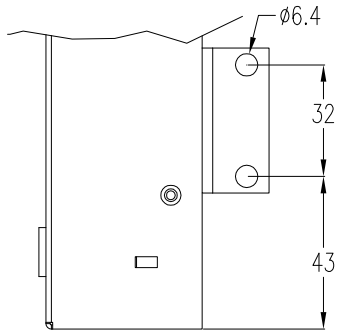
DETAILS (ENLARGED VIEWS)



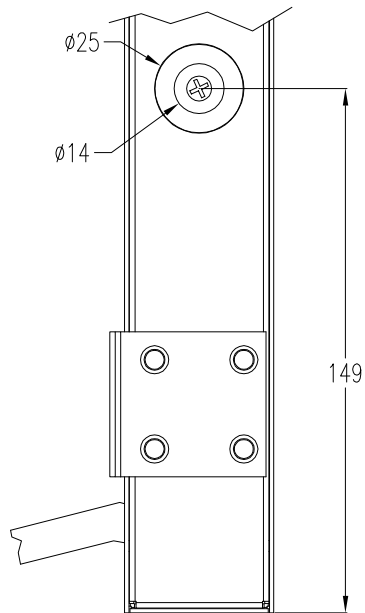
DETAIL-A (ENLARGED)



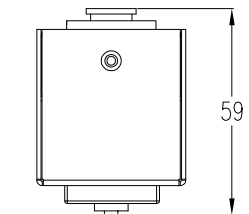
DETAIL-B
(NEMA 5-15P ENLARGED)



DETAIL-C
(MOUNTING BRACKET ENLARGED)

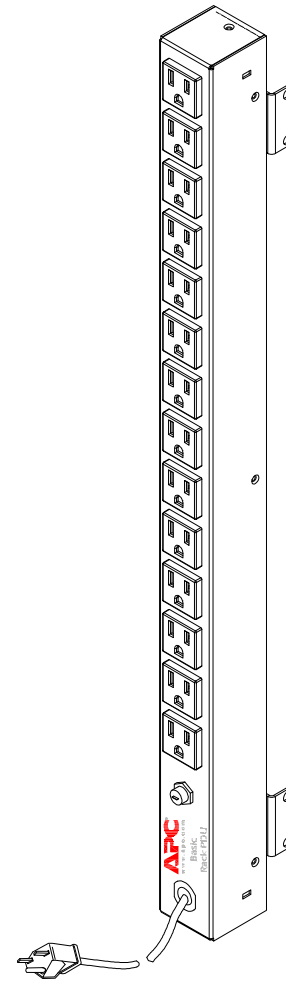


DETAIL-D
(NEMA 5-15P ENLARGED)

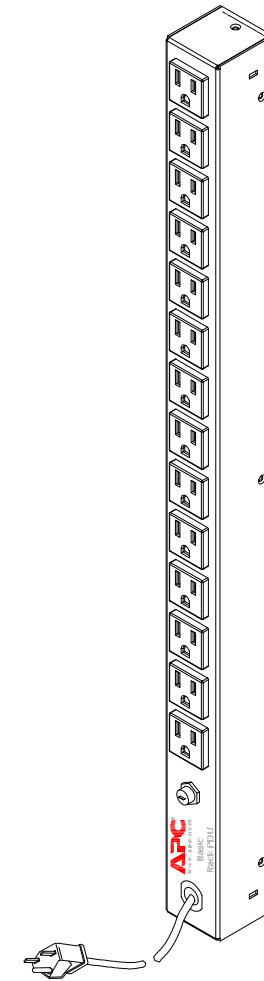


DETAIL-E (ENLARGED)

ISOMETRIC VIEW



RACK PDU WITH BRACKET



RACK PDU WITHOUT BRACKET

- NOTES:
 1. ALL DIMENSIONS ARE IN MILLIMETERS.
 2. INSTALLATION MUST COMPLY WITH ALL APPLICABLE NATIONAL AND LOCAL CODES.

THIS DRAWING AND SPECIFICATIONS HEREIN ARE THE PROPERTY OF AMERICAN POWER CONVERSION AND SHALL NOT BE COPIED, REPRODUCED OR USED IN WHOLE OR IN PART, AS THE BASIS FOR THE MANUFACTURE OR SALE OF ITEMS WITHOUT WRITTEN PERMISSION FROM APC.
 THIS DRAWING IS BASED UPON LATEST AVAILABLE INFORMATION AND IS SUBJECT TO CHANGE WITHOUT NOTICE.



PROJECT		SUBMITTAL DRAWING		TITLE	
DRAWN		SCALE		RACK PDU, BASIC	
CHECKED		3rd ANGLE PROJECTION		ZERO U, 15A, 100/120V, INPUT: NEMA 5-15P	
ENGINEER		DWG NO		OUTPUT: (14) NEMA 5-15R	
		AP9567		DETAILS AND ISOMETRIC VIEW	
		Sheet No.		REV.	
		2 / 2		-	



Rack PDU

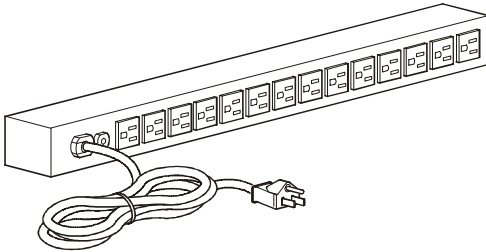
Overview

The American Power Conversion (APC®) Rack Power Distribution Unit (PDU) distributes power to devices in the rack.

Outlets. The PDU has fourteen (14) NEMA 5-15R outlets.

Power cord. The 12-foot (3.66-meter) power cord terminates with a NEMA 5-15P plug.

AP9567





Specifications for AP9567

Electrical

Input connector	NEMA 5-15P plug
Output connectors	(14) NEMA 5-15R outlets
Nominal input voltage	100–120 VAC
Acceptable input voltage	± 10% of nominal voltage
Input frequency	50/60 Hz

Physical

Dimensions (H × W × D)	24.40 × 1.75 × 1.75 in (61.97 × 4.44 × 4.44 cm)
Shipping dimensions (H × W × D)	25.13 × 6.63 × 5.75 in (63.81 × 16.82 × 14.60 cm)
Weight	4.82 lb (2.19 kg)
Shipping weight	6.40 lb (2.90 kg)

Environmental

Elevation (above MSL)	
Operating	0 – 10,000 ft (0 – 3000 m)
Storage	0 – 50,000 ft (0 – 15 000 m)
Temperature	
Operating	32 to 113° F (0 to 45° C)
Storage	–13 to 149° F (–25 to 65° C)
Humidity	
Operating	5 – 95% RH non-condensing
Storage	5 – 95% RH non-condensing

Compliance

Safety verification	UL/cUL Recognized, UL 1363, CAN/C22.2 No. 21-M90
---------------------	--



990-1481A-001